



**Model Number**

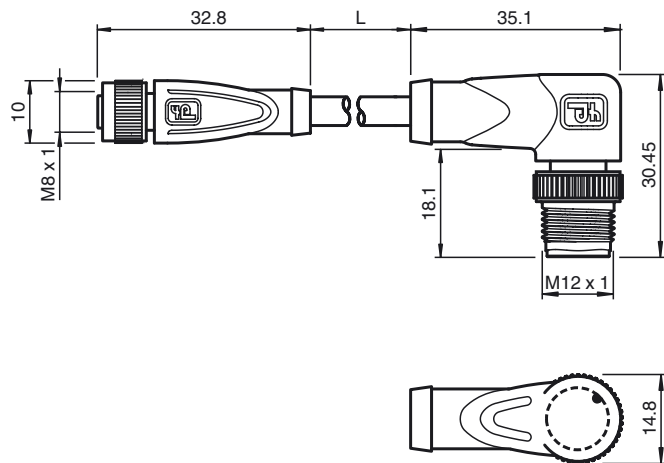
**V3-GM-YE0,5M-PVC-U-V11-W**

Connection cable, M8 to M12, PUR cable, 3-pin

**Features**

- Raw cable with cURus approval
- Knurled nut suitable for tool assembly
- Immunity to vibration, with mechanical latching
- Gold-plated and machined contacts
- Flame resistant cable

**Dimensions**



**Technical data**

**General specifications**

Number of pins	3
Connection 1	socket
Construction type 1	straight
Threading 1	M8
Connection 2	Male connector
Construction type 2	right angle
Threading 2	M12
UL File Number	E231213

**Electrical specifications**

Operating voltage	U <sub>B</sub>	max. 60 V AC/DC
Operating current		max. 3 A
Volume resistance		< 5 mΩ

**Ambient conditions**

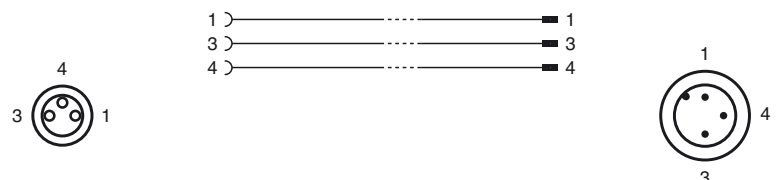
Ambient temperature	Body: -40 ... 90 °C (-40 ... 194 °F) cable, fixed: -25 ... 80 °C (-13 ... 176 °F) cable, flexing: -5 ... 80 °C (23 ... 176 °F)
Pollution Degree	3

**Mechanical specifications**

Contact elements	spring-loaded contact socket
Pin diameter	1 mm
Protection degree	IP67
Material	
Contacts	CuSn / Au
Contact surface	Au
Body	TPU, black
Cable	PVC
Slotted nut	Diecast zinc
Sleeve connector	Diecast zinc
Core insulation	PVC
Cable	fine-strand, flexible
Sheath diameter	Ø 4.3 mm
Bending radius	> 15 x cable diameter, induced > 5 x cable diameter, fixed
Color	yellow
Cores	3 x 0.34 mm <sup>2</sup>
Conductor construction	19 x 0.15 mm Ø
Length	L 0.5 m
Flammability	
Contact material	HB
Housing	V-2
Cable	FT1

**Compliance with standards and directives**

**Electrical connection**



Release date: 2014-02-06 13:18 Date of issue: 2014-02-06 456701\_eng.xml

Refer to "General Notes Relating to Pepperl+Fuchs Product Information".

<b>Standard conformity</b>	
Protection degree	EN 60529:2000
Flammability	Body: UL 94 Line: UL 1581 Section 1061; IEC 60332-1-2:2004
<b>Approvals and certificates</b>	
UL approval	cURus AWM 2095 AWM I/II A/B 80°C 300V FT1 (cable)

Release date: 2014-02-06 13:18 Date of issue: 2014-02-06 456701\_eng.xml